



High Efficiency

## PCS Series 3-Phase

0.75kW

## ■ SPECIFICATION

## ■ MOTOR

Output (kW)	Model Name	Poles	Voltage (V)	Freq. (Hz)	Rated Load			Duty	Degrees of protection	Insulation Classification	Protective Cooling System
					Current (A)	Speed (r/min)	Efficiency (%)				
0.75	PCS□□-□-□-□075R4□	4	220/380	60	3,10/1,80	1705	82,8	CONT.	IP55	F	Totally Enclosed Fan-Cooled
	PCS□□-□-□-□075W6□	4	200	50	3,45	1415	79,6				
			220	60	3,10	1710	83,5				
	PCS□□-□-□-□075X6□	4	380/400	50	1,80/1,80	1420/1425	79,6/79,6				
400/440			60	1,65/1,60	1700/1720	82,5/82,9					

- The Brake Geared Motor is divided into 2 models: one is a non-water proof product with IP40 while the other is a waterproof product with IP55.
- The Models with IP40 and IP55 have the same electric characteristics.

## ■ GEARED MOTOR – 50Hz

Frame No.	32											40					
Reduction gear ratio	5	7,5	10	12,5	15	20	25	30	40	50	60	80	100	120	160	★200	★240
Rotation speed (r/min)	300	200	150	120	100	75	60	50	37,5	30	25	18,8	15	12,5	9,4	7,5	6,3
Allowable torque	kgf · m	2,10	3,15	4,20	5,30	6,39	8,49	10,6	12,6	16,9	21,2	25,4	33,1	41,4	49,7	61,4	65,5
	N · m	20,6	30,9	41,2	52	62,7	83,3	104	124	166	208	249	325	406	487	602	642
Allowable O.H.L	kgf	330	355	380	379	410	430	450	460	480	480	480	540	540	540	540	540
	N	3234	3479	3724	3721	4018	4214	4410	4508	4704	4704	4704	5292	5292	5292	5292	5292

## ■ GEARED MOTOR – 60Hz

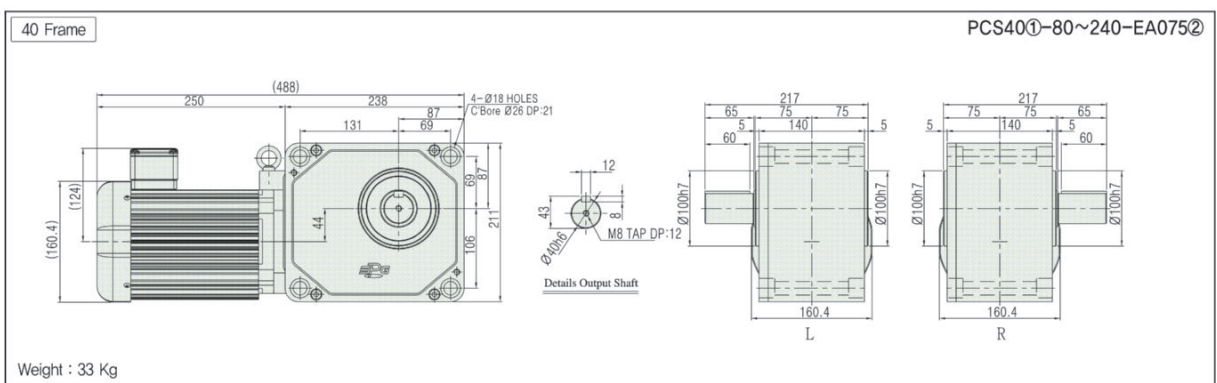
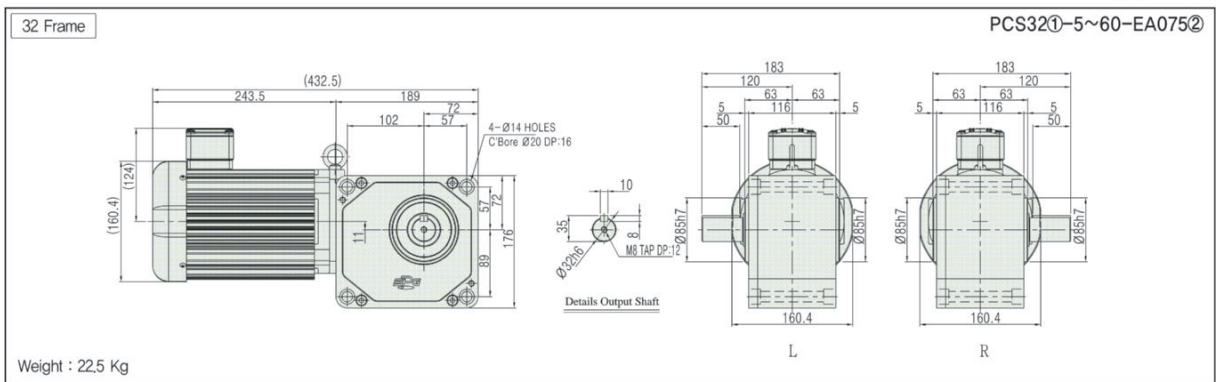
Frame No.	32											40					
Reduction gear ratio	5	7,5	10	12,5	15	20	25	30	40	50	60	80	100	120	160	★200	★240
Rotation speed (r/min)	360	240	180	144	120	90	72	60	45	36	30	22,5	18	15	11,3	9	7,5
Allowable torque	kgf · m	1,79	2,65	3,50	4,39	5,29	7,10	8,79	10,6	14,1	17,6	21,2	27,6	34,5	41,4	51,2	54,6
	N · m	17,6	26	34,3	43,1	51,9	69,6	86,2	104	138	173	208	271	338	406	502	535
Allowable O.H.L	kgf	330	355	380	379	410	430	450	460	480	480	480	540	540	540	540	540
	N	3234	3479	3724	3721	4018	4214	4410	4508	4704	4704	4704	5292	5292	5292	5292	5292

- Note) • Permissible Torque is limited for products with a mark "★" of reduction gear ratio  
 • Permissible O.H.L (allowable overhung load) is based on the central part of the outlet length for output shaft  
 • Rotation direction of color ■ is opposite of other color □  
 • Self Locking is unavailable.

Model Name Coding  
36PageSpecification for output shaft  
70PageTechnological Data  
101Page

■ PCS TYPE DIMENSIONS [ Lead wire Box Type ]

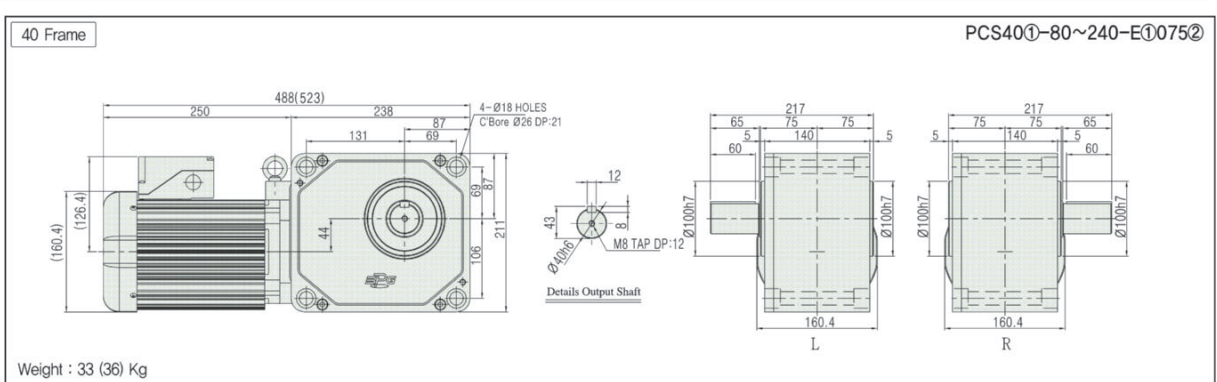
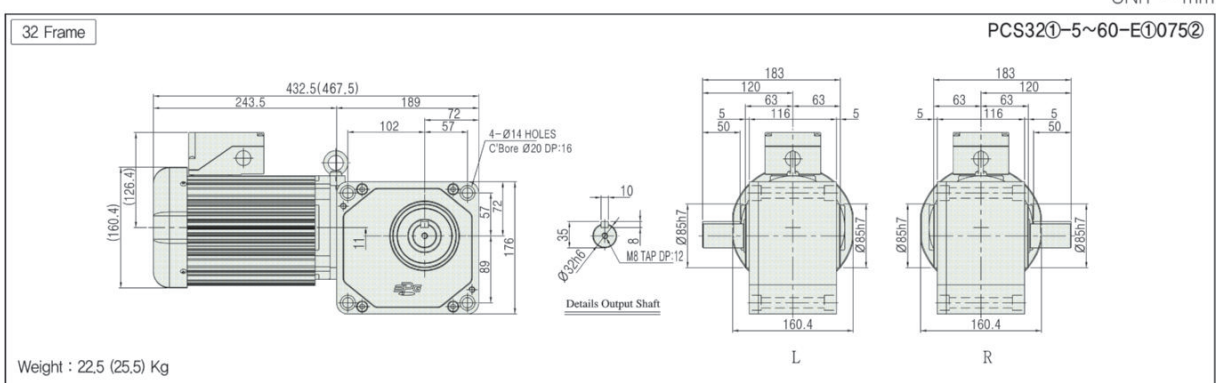
UNIT = mm



■ PCS TYPE DIMENSIONS [ Terminal Box Type ]

- Note) • Dimensions for IP40 model and IP55 model are the same.  
 • The brake-attached model is applied to the Terminal Box Type for basic features, but does not apply to the lead wire box type.  
 • ( ) dimension and weight in dimensions is for brake attached model specification

UNIT = mm



- Model type ① : Motor option (B, C, D)  
 ② : Power (Voltage & Frequency)

Model Name Coding ▶ 36Page	Specification for output shaft ▶ 70Page	Technological Data ▶ 101Page
-------------------------------	--	---------------------------------